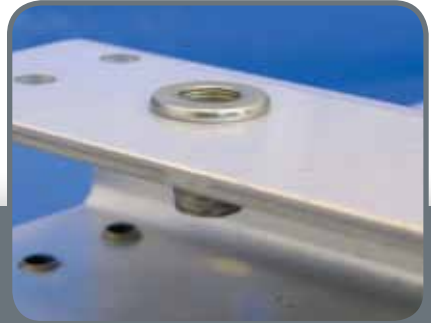


# TUBTARA®

## Blind rivet nuts

your reliable connection!



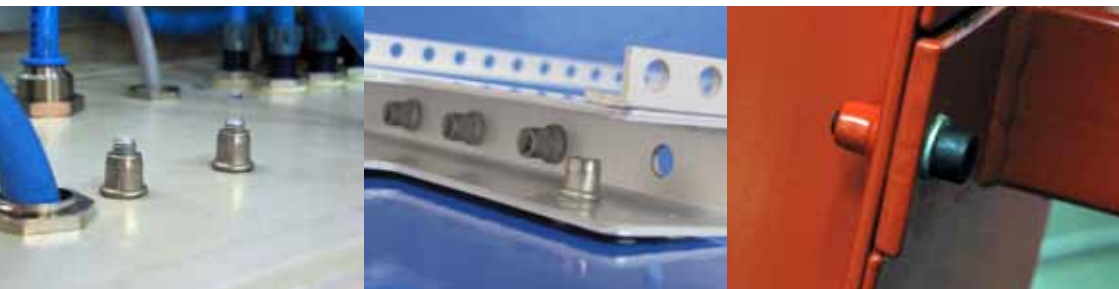
[www.dejond.com](http://www.dejond.com)

## What's a blind rivet nut?

A Tubtara® blind rivet nut is a mechanical fastener that ensures a strong thread in a thin sheet and is used in applications where there is little or no access at the rear. It can be used to clinch separate sheets together (acting as a rivet) and allows you to assemble another component with a bolt or screw.

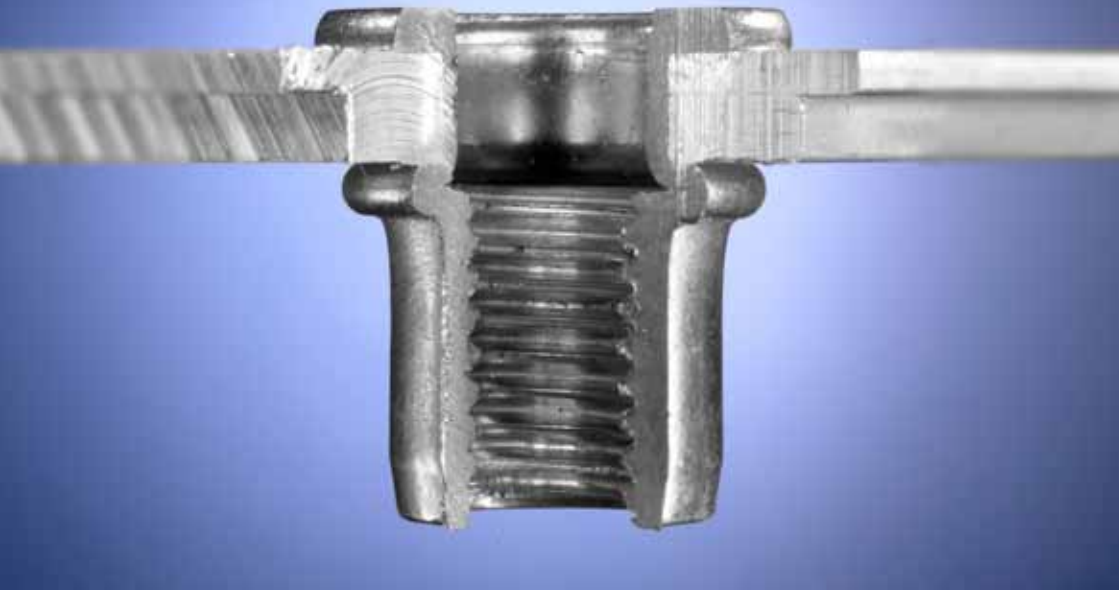
## Applications

A Tubtara® is used in all kinds of sheet metal applications. It avoids tapping, welding and working with a bolt and nut. It's a very good solution for enclosed applications that can only be accessed from one side.



- cabinets
- window & door profiles
- airconditioning
- solar panels
- metal enclosures
- rails
- swimming pools
- leg levelling
- cable trays
- pipes
- heating installations
- fences
- benches
- ...

Some markets: aerospace, automotive, white goods, electronics, metal furniture, railways, telecom, food, chemicals, lighting, marine, offshore, medical, pulp & paper, etc...



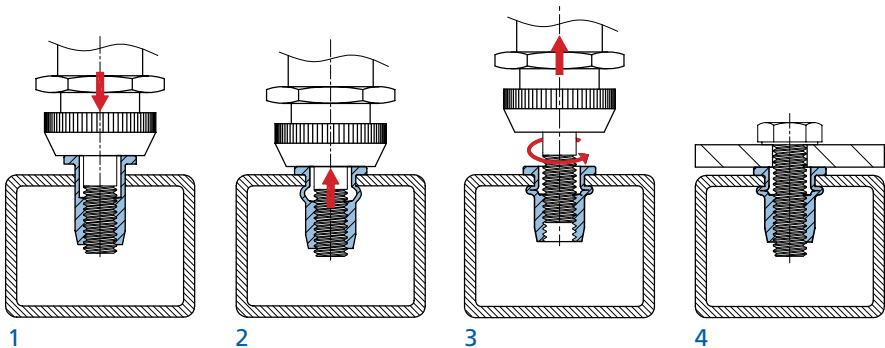
## ● Benefits

- Provides a strong thread in a thin sheet
- Simple blind (one sided) installation
- Fast assembly time
- Low assembly costs: easy installation with 1 single operation of the hand
- Avoids damaging the (pre-coated or -painted) surface of the workpiece
- Low installation cost: no expensive setting tools needed
- Works in close-to-edge applications
- No deformation of the workpiece
- Unloseable after setting
- Appropriate for repeated (re-)assembly

## ● Installation

Installing a Tubtara® blind rivet nut is very simple:

1. Screw the Tubtara® on the mandrel of the setting tool. Bring it into the hole of the workpiece.
2. Pull lengthwise to set the Tubtara®.
3. Unscrew the mandrel.
4. Assemble another component.



A Tubtara® can be set with a hand- or pneumatic tool, a press or an automatic installation unit.

## ● A total quality solution

Dejong offers one of the widest, cold formed ranges of high quality blind rivet nuts in the world, all manufactured in its production facility in Wilrijk (Belgium).

We have the ambition to stay at the forefront of the design and manufacture of blind rivet nuts.

Through flexible stock availability and a strong technical & commercial support we try to give our partners-distributors the opportunity to gain new applications worldwide.

## ● A wide product range

The Tubtara® programme includes standard and special products.

### Material

Stainless steel 304 & 316, steel and aluminium

### Thread size

From M3 till M12

Imperial and other thread sizes on request

### Head form

Flat, countersunk, low profile, watertight, anti-turn head

### Shank

Round, knurled, (semi-) hexagonal shank

Open, closed end



### Grip range

From 0,5 - 8,0 mm

Other grip ranges on request

### Surface treatment

Zinktop: high quality Cr<sup>VI</sup> -free plating on steel Tubtara's

ROHS compliant

96 h white rust - 480 h red rust

Other surface treatments on request

### Specials

Solutions for special applications can be discussed and developed

## ● Focus on development

### Anti-turn Tubtara®

with round shank and special anti-rotation head

- Torque-to-turn value at least twice as high as that of the equivalent round blind rivet nut
- Used in applications where hexagonal holes are not allowed or difficult to make - highly effective in very hard or slippery material



### Stainless steel 316

programme in development, from M4 till M10

- Contains > 2 % Molybden
- Extra high corrosion resistance in chloride (salt) bearing environments
- Non-magnetic and resistant to elevated temperature



Terbekehofdreef 55-59  
2610 Wilrijk (Antwerp)  
Belgium - EUROPE  
Tel: +32 (0)3 820 34 36  
Fax: +32 (0)3 820 35 36  
E-mail: [coldform@be.dejond.com](mailto:coldform@be.dejond.com)  
[www.dejond.com](http://www.dejond.com)